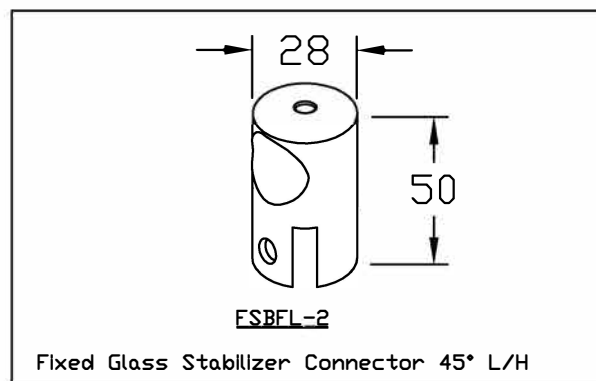
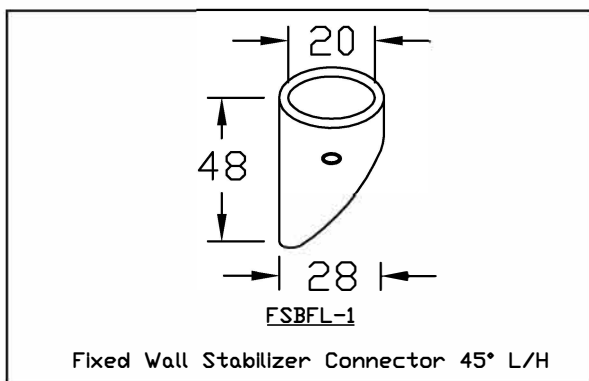
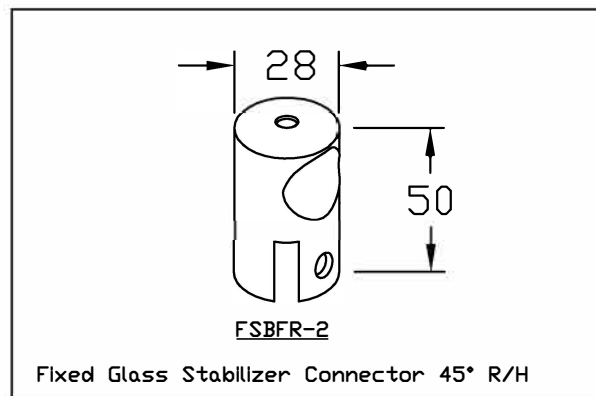
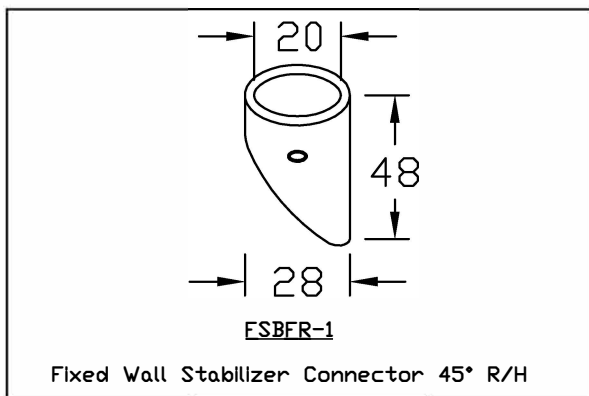
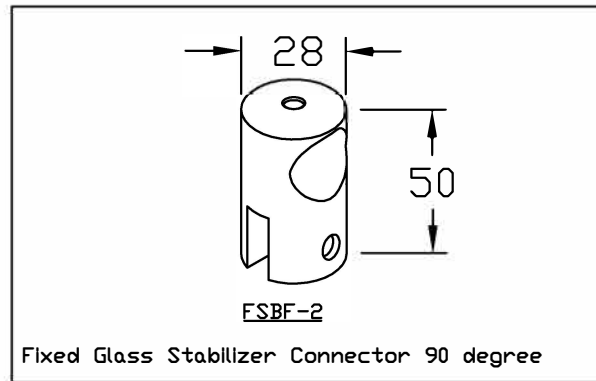
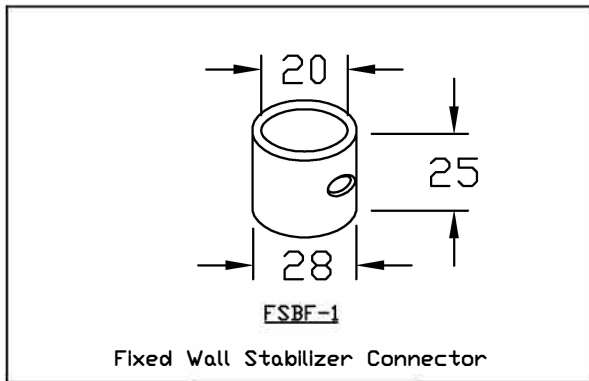


Opus Manufacturing Technical Page

FSBF Stabilizer Connectors



To complete the package for the installation of Frameless Glass Showers the following stabilizers are available. Designed to suit 6mm & 8mm glass but can be adapted to suit various sizes on request.

Please note: The L/H and R/H orientation is determined when looking into shower.

Standard Finishes: Bright Silver, Natural Satin, Powdercoat or Gold