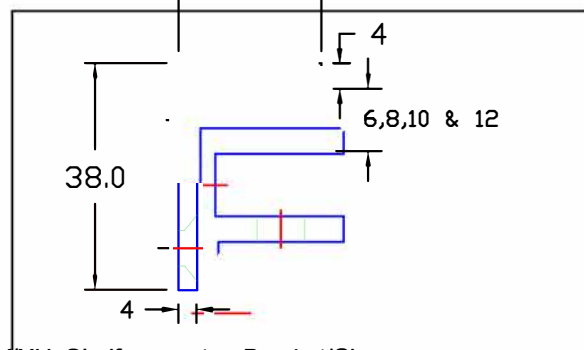
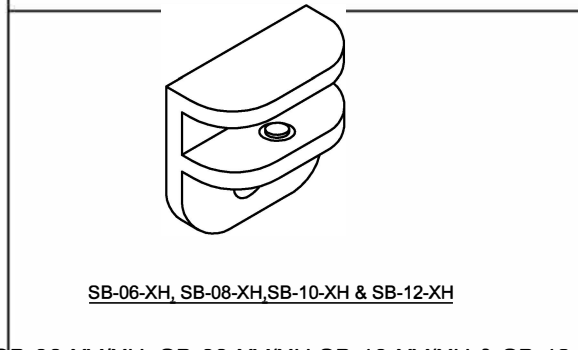
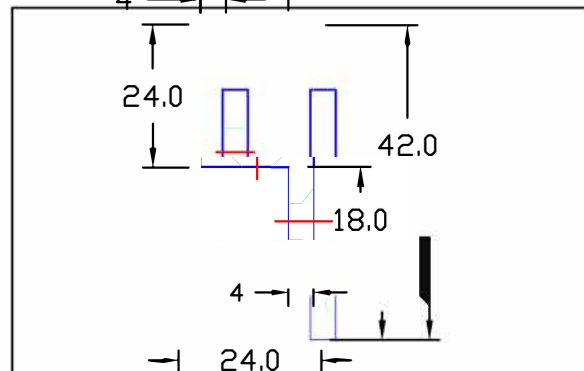
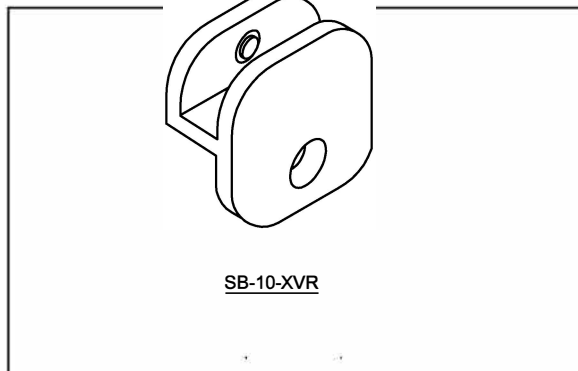
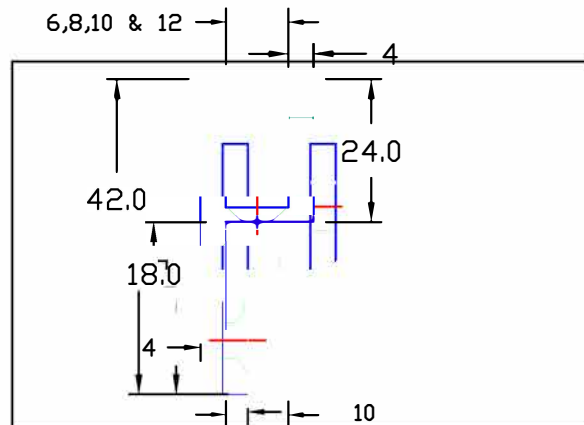
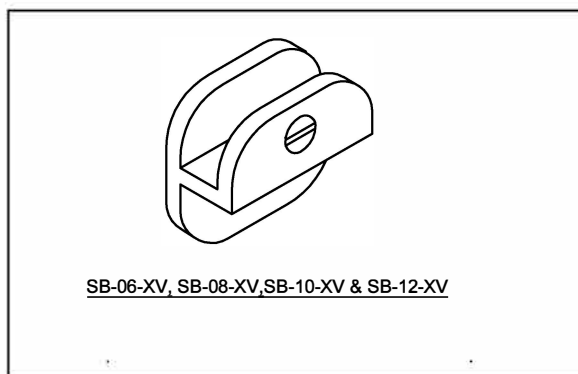


Opus Manufacturing Technical Page

SB-06-XV/XH, SB-08-XV/XH, SB-10-XV/XH & SB-12-XV/XH & SB-10XVR



SB-06-XV/XH, SB-08-XV/XH, SB-10-XV/XH & SB-12-XV/XH Shelf support or Bracket/Clamp.
 Manufactured in solid brass, designed to secure shower enclosure glass panels to the wall and floor.

SB-06-XH & SB-06-XV	Glass 6mm
SB-08-XH & SB-08-XV	Glass 8mm
SB-10-XH & SB-10-XV	Glass 10mm
SB-10-XVR	Glass 10mm (Reverse style)
SB-12-XH & SB-12-XV	Glass 12mm

Standard Finishes: Chrome, Satin Chrome.