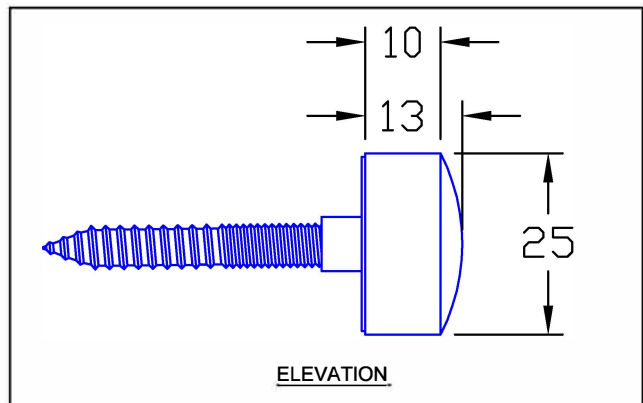
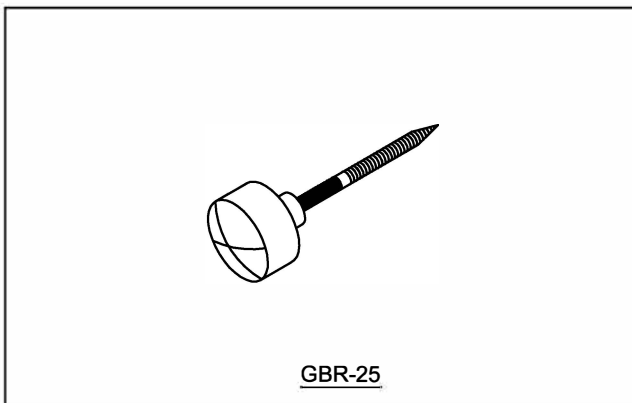
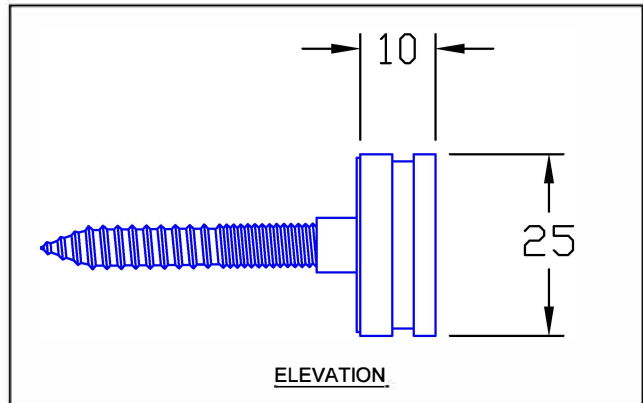
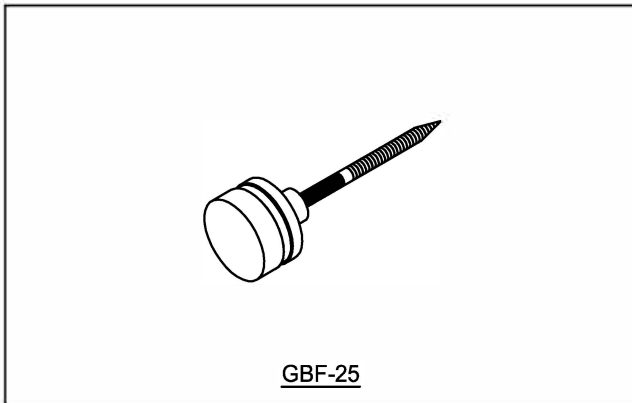


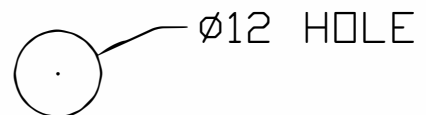
## Opus Manufacturing Technical Page

GBF25 - Button fitting

GBR25 - Button fitting



GLASS CUT-OUT



**GBF-25 Button.**  
**GBR-25 Button.**

Manufactured from solid brass, designed to secure frameless glass panels requiring a 25<sup>mm</sup> fixing button.

Securing the button is by way of 6mm stainless steel lag screw which is included in the price.

Standard Finish: Satin Chrome or Polished Chrome.