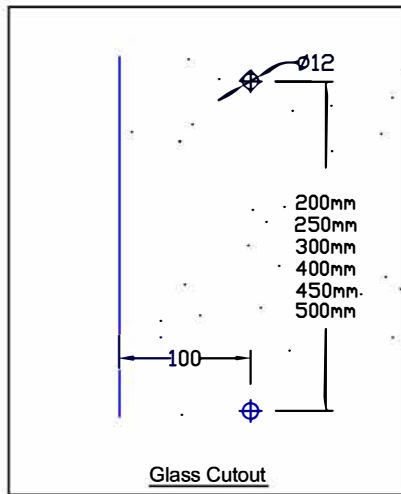
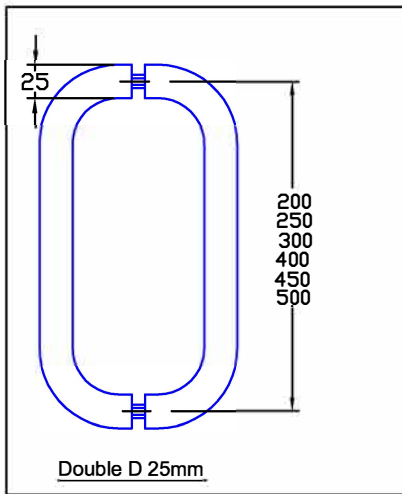


Opus Manufacturing Technical Page

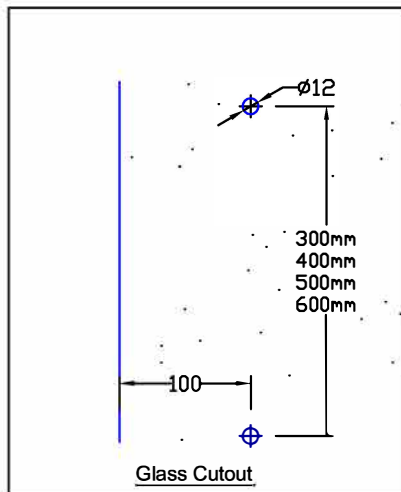
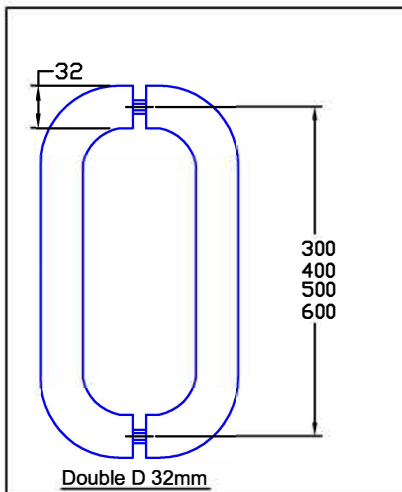
DD25 and DD32



Double D Handles 25mm

A set consists of one D for each side of the glass door. 32mm washers available, in the same, or contrast finish.

Codes: DD-200
DD-250
DD-300
DD-400
DD-450
DD-500



Double D Handles 32mm

A set consists of one D for each side of the glass door.

Codes: DD32-300
DD32-400
DD32-500
DD32-600

DD25 and DD32 Handles are constructed of 25mm and 32mm brass or stainless steel tubing. Plastic gaskets and spacers are included to protect against glass-to-metal contact.

Standard Finishes: Polished Stainless, Satin Stainless, and Gold.