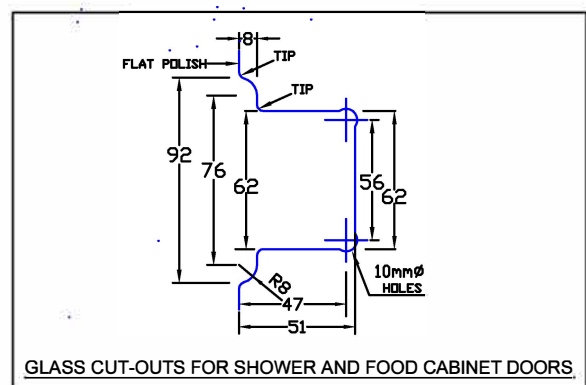
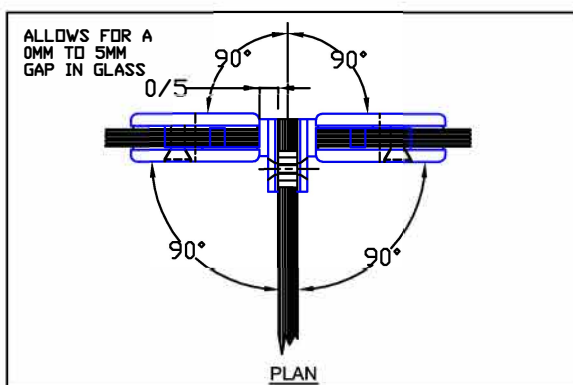
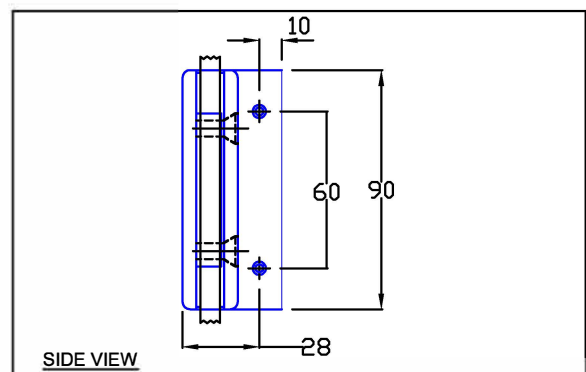
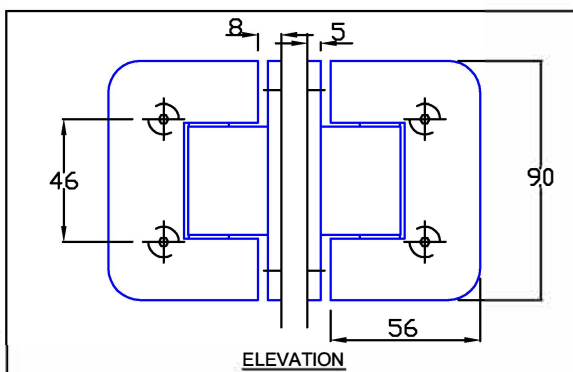
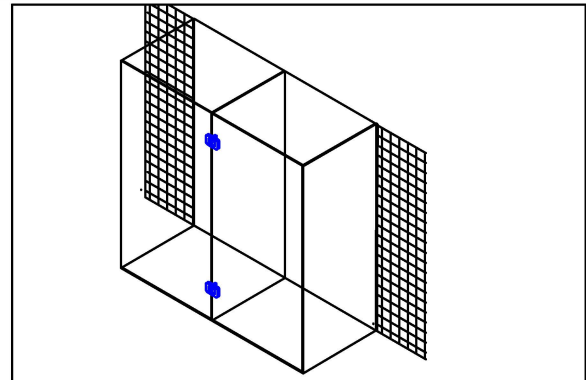
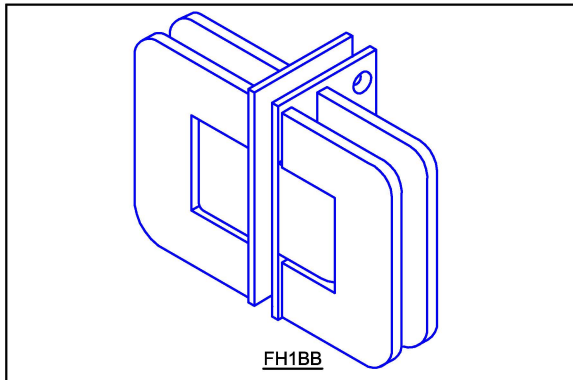


Opus Manufacturing Technical Page

FH1BB

Dual action opening 90° in both directions.
Standard specifications for 10-12mm glass



FH1BB Glass to glass hinge is used to mount a double door to a fixed glass centers panel that runs on a 90 degree angle to the doors. The hinge is secured to the panel through two fourteen diameter holes in the glass at 61mm centers. This results in simpler and cheaper glass preparation. Additional advantages are better holding capabilities, and a cost effective back to back hinge installation.

Standard Finishes: Chrome; Satin Chrome; Gold.