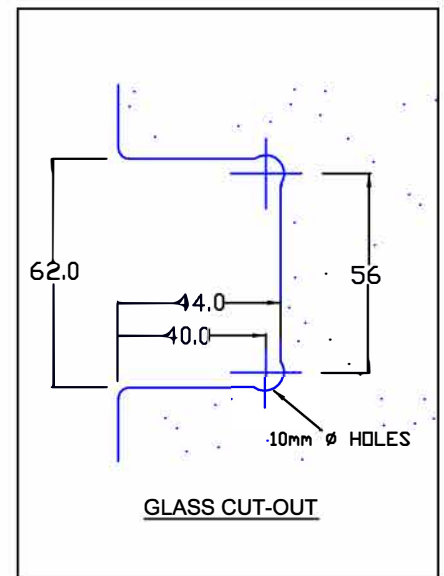
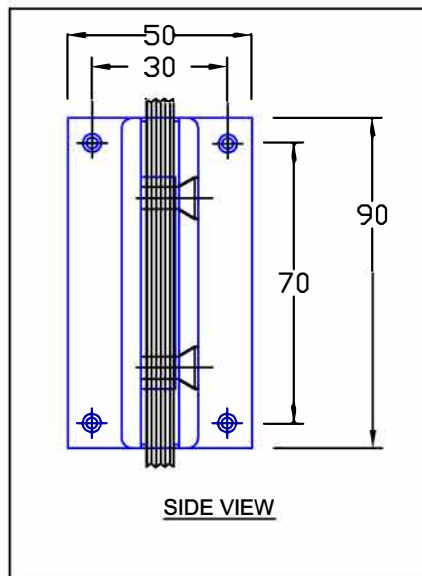
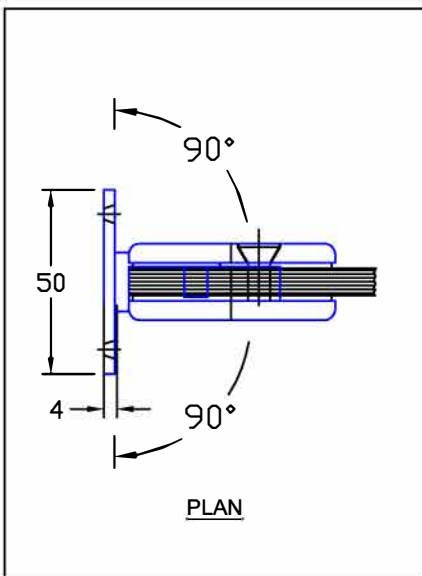
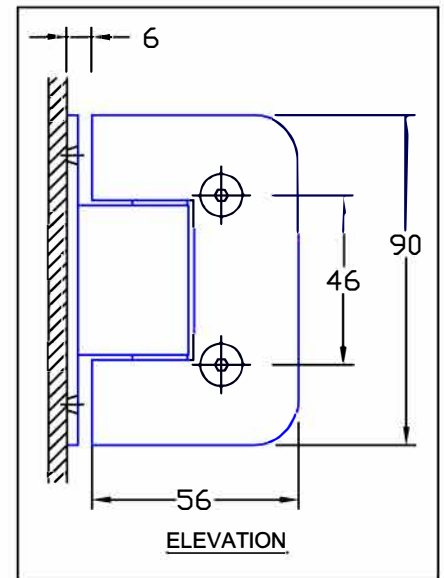
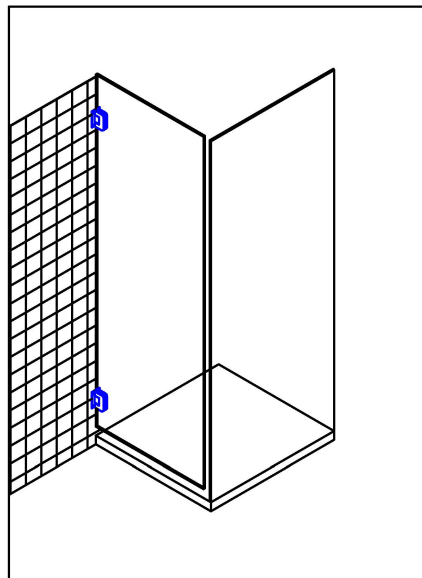
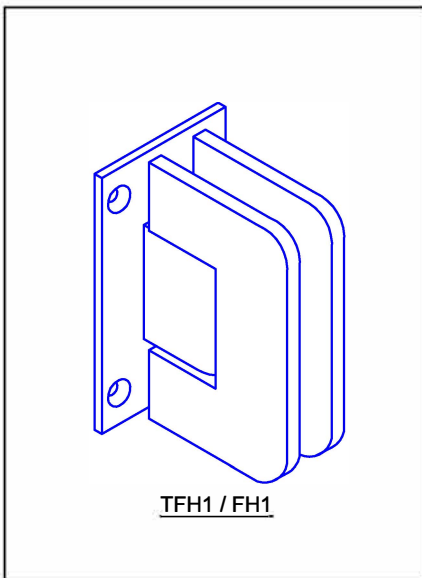


# Opus Manufacturing Technical Page

## TFH1 / FH1

Dual action opening 90° in both directions.  
 Standard specifications for 8mm and 10mm glass  
 but can be adapted to suit 6mm or 12mm glass on request.



TFH1 / FH1 - Wall to glass center mounted hinge.

Standard Finishes: Chrome; Satin Chrome; Gold