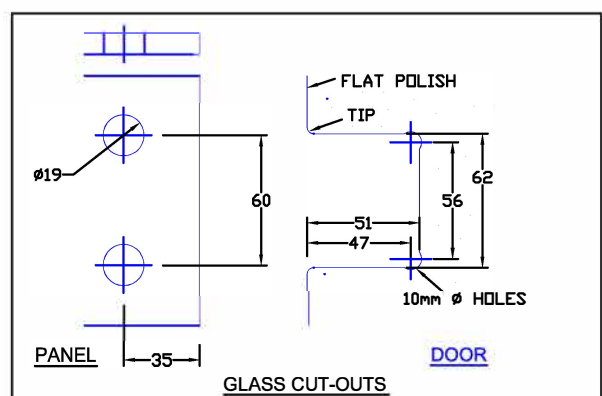
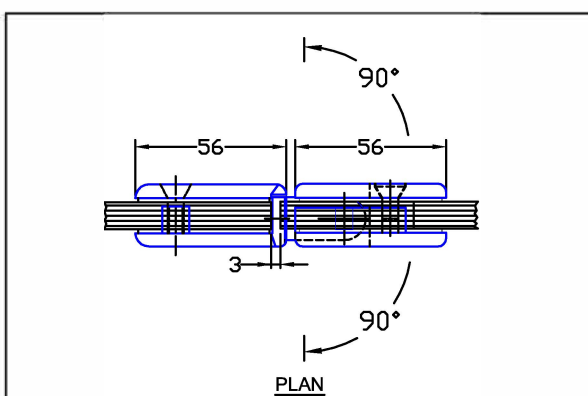
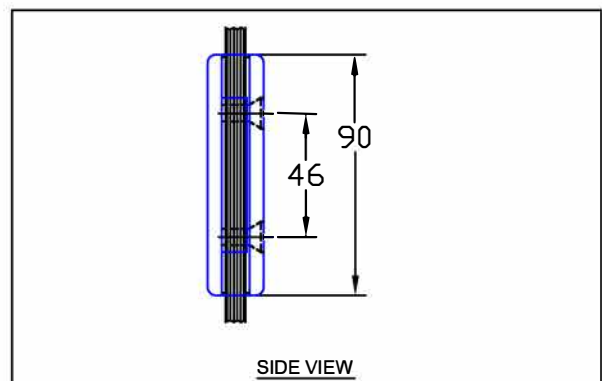
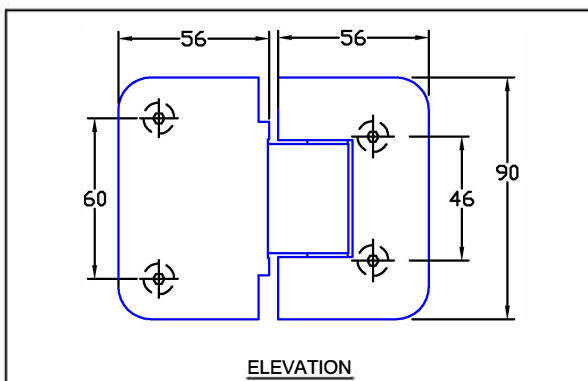
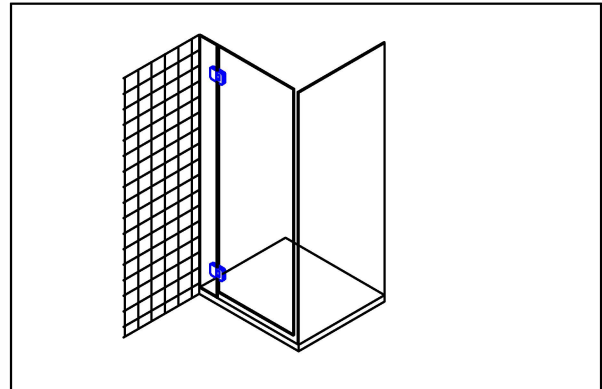
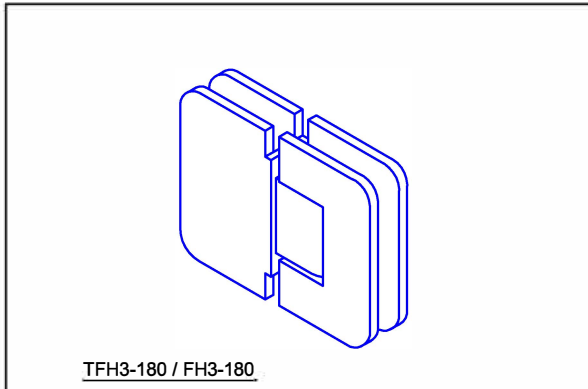


Opus Manufacturing Technical Page

TFH3-180 / FH3-180

Dual action opening 90° in both directions.
 Standard specifications for 8mm and 10mm glass
 but can be adapted to suit 6mm or 12mm glass on request.



TFH3-180 / FH3-180 Glass to glass hinge to mount a door to a fixed glass side panel that runs on a 180 degree plane. The hinge is secured to the panel with two holes in the glass instead of a cut-out. This results in a simpler and cheaper glass preparation. Additional advantages are better holding capabilities, and a cost effective hinge.

Standard Finishes : Chrome; Satin Chrome; Gold.

Call: 1300 139 706 T: (03) 9775 1223 F: (03) 9775 1445 E: danmac1@bigpond.net.au
 HEAD OFFICE: 99 Frankston Gardens Drive, Carrum Downs Vic 3201 Australia