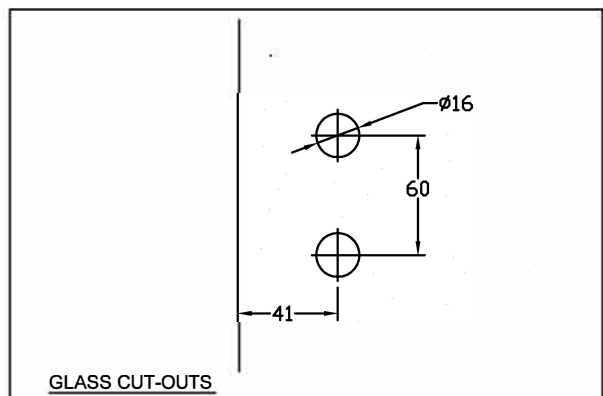
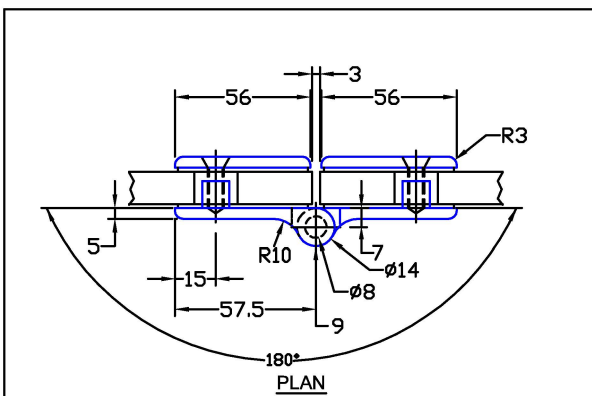
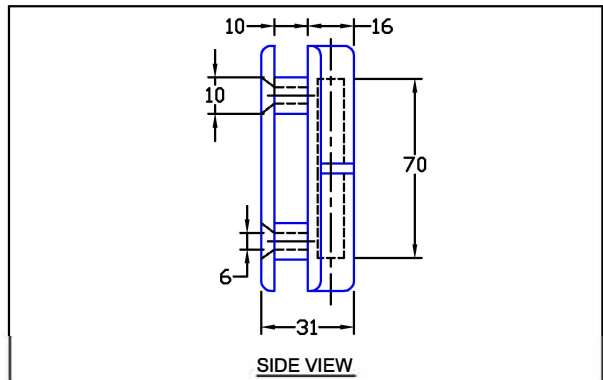
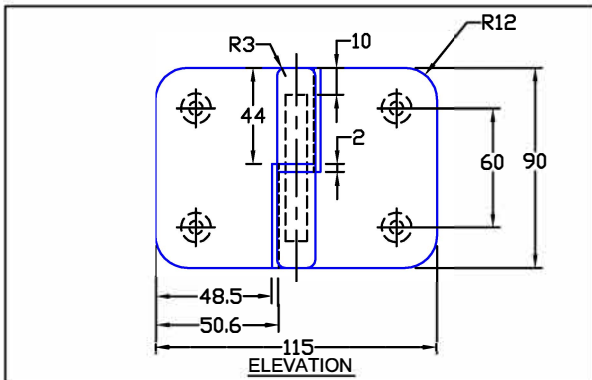
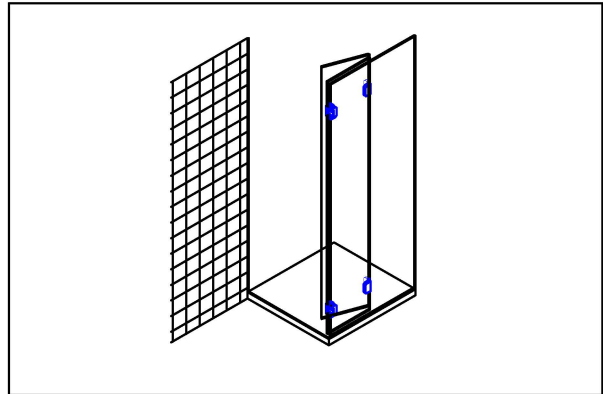
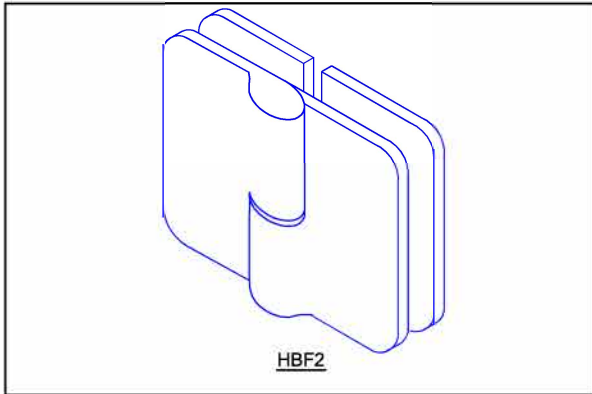


Opus Manufacturing Technical Page

HBF2

Standard specifications for 10mm glass
 Can be adapted to suit 8mm glass on request



HBF2 Glass to Glass hinge to mount a door to a 8mm or 10mm glass side panel. This Bi-Fold hinge has the advantage of allowing the glass to fold back on itself through a 180° angle.

The hinge is secured to the panel with two holes in the glass instead of a cut-out. This results in a simpler and cheaper glass preparation. Additional advantages are better holding capabilities, and a cost effective hinge.

Hinges should be purchased and fitted as a pair enabling a top/bottom installation so that the door cannot be lifted off its hinges. Standard Finishes: Chrome; Satin Chrome; Gold.