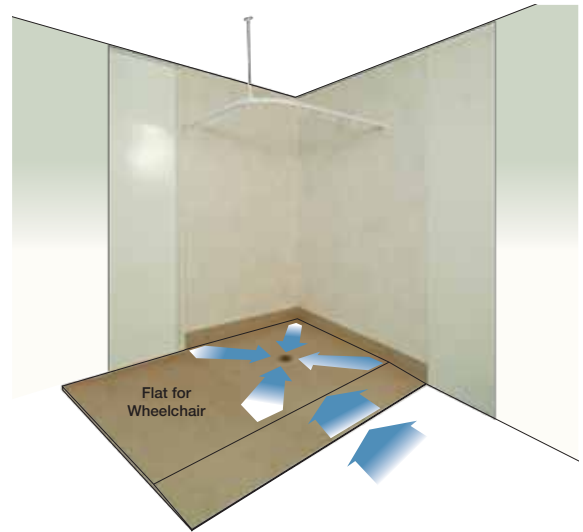


# Newline ProFinish™ Barrier Free Overlay Floor Systems

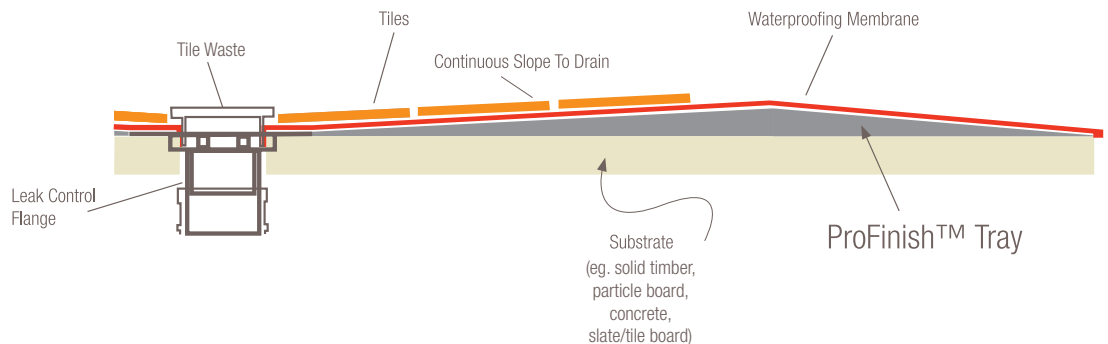
for easy access

## BARRIER FREE FLOOR SYSTEM

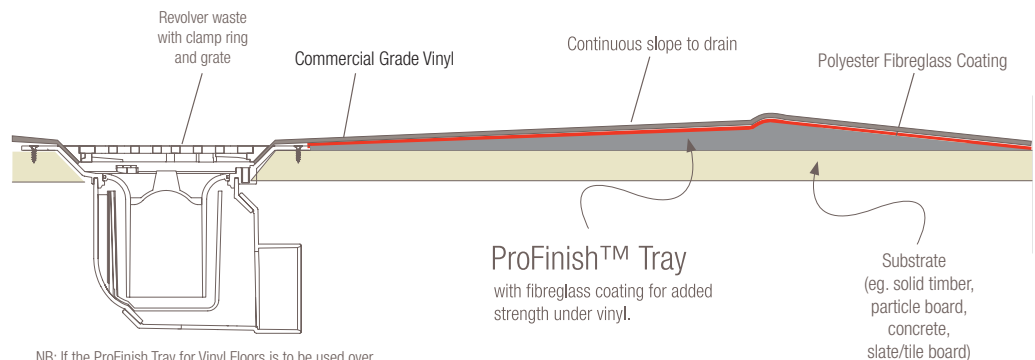
- The ProFinish™ Tile Tray System creates a professional finish with a continuous fall to the waste.
- Flat areas for under the toilet and by the vanity.
- Ramps at the entry to the shower area and/or room (*Instead of the standard sill*).
- Minimal disruption.
- Tile or vinyl options. *NB: Vinyl option only suitable for commercial grade vinyl.*



### Tile Option



### Vinyl Option



NB: If the ProFinish Tray for Vinyl Floors is to be used over a concrete floor then the end of the Tray must be feathered with a leveling compound.

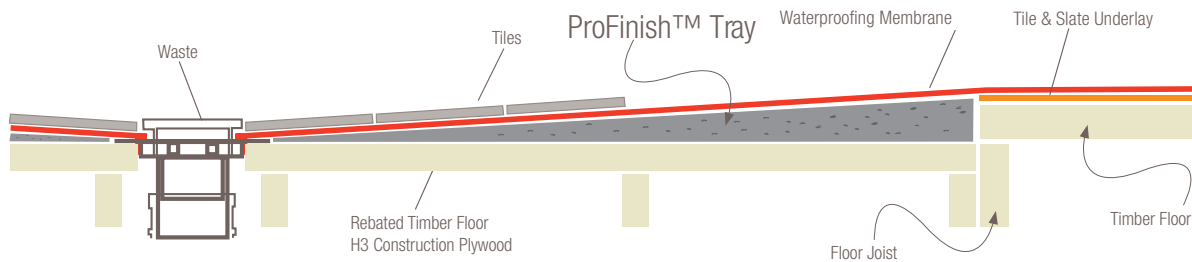
# Newline ProFinish™ Tile Tray System

## Level Entry (Recessed) Application

The NEWLINE ProFinish™ Tile Tray System is also suitable for Level Entry Showers (recessed into the floor).

Once the level entry tray has been installed, waterproofed and tiled, NEWLINE can supply the glass door or glass panels to fit the finished shower.

*Please Note: It is important to measure for the glass door or glass panels after the tray has been fully installed and the tile thickness confirmed, so that the glass door and panels are made to fit your shower.*

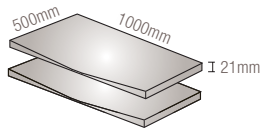


# Newline ProFinish™ Tile Tray System - Jigsaw

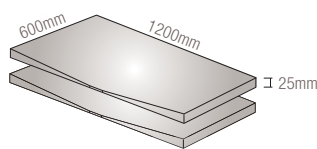
The Newline ProFinish™ Jigsaw Tile Shower Tray System is the 'DIY' option, providing flexibility to create your own tray. The Jigsaw System is ideal for the tradesman or the experienced DIY home handyman.

Tilebases 1, 12 and 15 are supplied as 2 halves per box. Please quote Part Numbers below, when ordering.

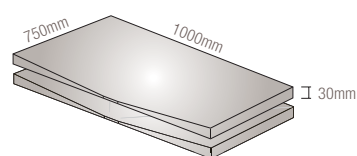
TILEBASE 1



TILEBASE 12

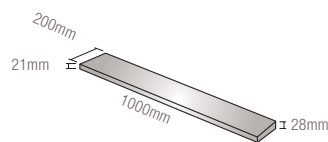


TILEBASE 15

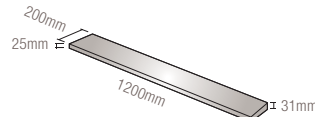


Slope Extensions 1, 12 and 15 are supplied as 1 per box.

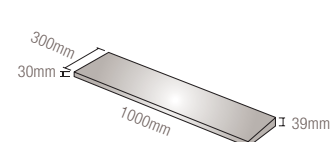
SLOPEEXT 1/200



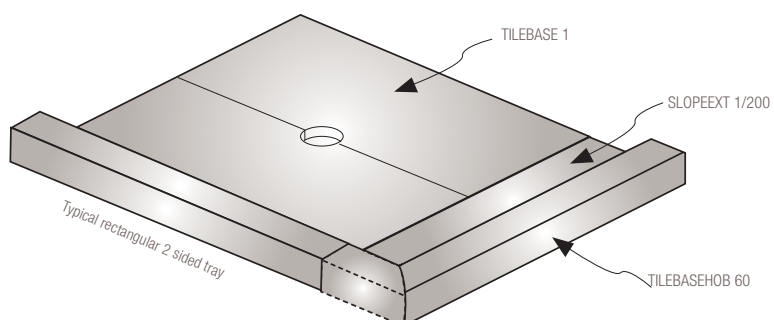
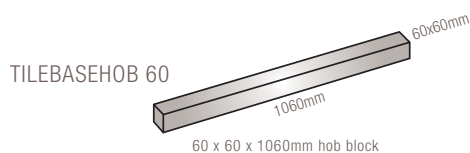
SLOPEEXT 12/200



SLOPEEXT 15/300



Tilebase Hob supplied as 1 per box.



## JIGSAW TILE TRAY SYSTEM

- Made in New Zealand.
- Form a tile base by butt joining and gluing the required components together to achieve the tray size and shape you require.
- Components manufactured from light weight rigid polyurethane.
- Guaranteed continuous slope to waste.
- Tray simply glues to the floor. *NB Must be installed on a clean, flat, even surface.*
- No time wasted waiting for sand and cement screed to dry.
- No need for expensive structural floor changes.
- The Newline ProFinish™ rigid polyurethane shower tray will hold its form and shape for 20 years if protected from moisture by an approved waterproofing membrane which has been applied by an approved waterproofing applicator.
- Must use a glue recommended by Newline to join the components and fix the tray or the warranty is void.
- The Jigsaw tray is installed after the wall cladding is fixed and must be waterproofed before tiling.
- The waterproofing is to be applied after the tray is installed so the area is protected by one continuous waterproofing membrane applied to the floor, over the shower base and up the wall

## TO CREATE YOUR JIGSAW TILE TRAY

Install the waste flange into its correct position.

The Jigsaw components needed to form the tile base you require are determined by the position of your shower waste, and the dimensions of your shower.

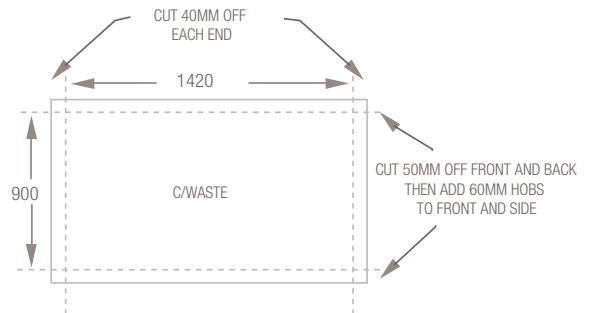
Measure from the centre of the waste to the side walls and from the centre of the waste to the outside perimeter. Using these measurements determine which TILEBASE you will require, if you require a Slope Extension (SLOPEEXT) and how many hobs (TILEBASE HOB).

NB. When deciding which components you require it is often preferable to choose the 'next largest size' TILEBASE as an alternative to using the SLOPEEXT components as this reduces the number of joins required.

### Example One:

Tray Size: 2 sided tray 960mm x 1480mm with central waste and hobs.

Components: 1 x Tilebase 15  
3 x TilebaseHOB 60



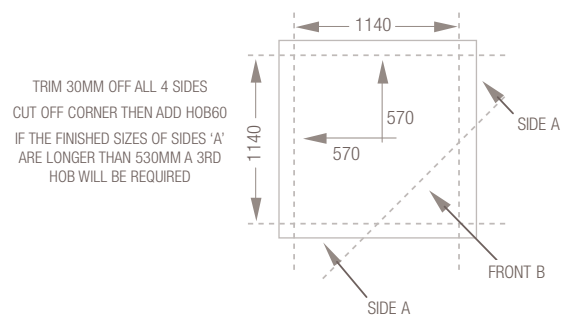
The tray size will be the size of the TILEBASE 15=1500mm x 1000mm so trim to the correct size using a sharp knife or fine bladed saw. Because hobs are being used the tray must be cut 60mm smaller than the required size; 900mm x 1420mm to compensate for the use of the TILEBASE HOB60.

### Example Two:

Tray Size: 2 sided Neo Angle Tray (1200x1200) with centre waste and hobs.

Components: 1 x Tilebase 12  
2 x TilebaseHOB 60

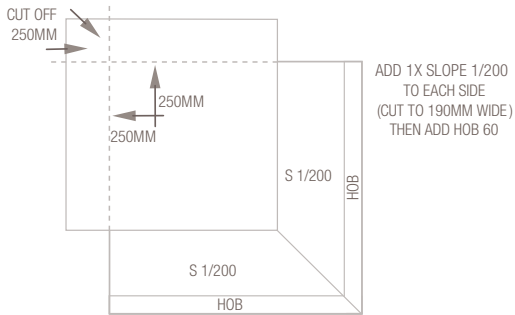
The tray size will be the size of the TILEBASE 12 = 1200mm x 1200mm so trim to the correct size using a sharp knife or fine bladed saw. Because hobs are being used the tray must be cut 60mm smaller than the required size: 1140mm x 1140mm to compensate for the use of the TILEBASEHOB 60.



### Example Three:

Tray size: 2 sided tray 1000mm x 1000mm,  
waste 250 x 250, with HOBS

Components: 1 x TILEBASE 1  
2 x SLOPE 1/200  
2 x TILEBASEHOB 60



waste flange, (not the centre hole only).

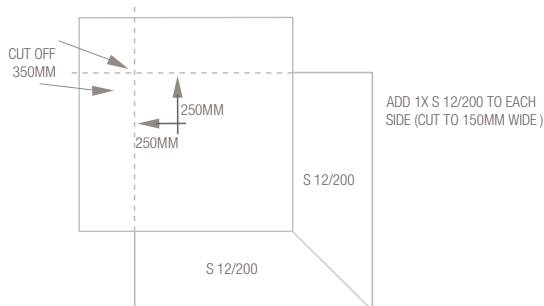
Remove the Jigsaw components. Make sure the gluing surface is flat, clean and free of primer residues or sealers. Using an approved glue, glue each piece down as per the instructions. Once the adhesive has cured for the required time, the tray is ready for fibreglassing or waterproofing.

These are guidelines only. For more detailed instructions, refer to the instructions included with your Jigsaw components.

### Example Four:

Tray size: 1000mm x 1000mm base, waste  
250mm x 250mm, recessed tray (no HOBS)

Components: 1 x TILEBASE 12  
2 x SLOPE 12/200



## INSTALLATION GUIDELINES

Temporarily place the two halves of the TILEBASE in position, centered over the waste outlet.

If the distance between the centre of the waste and the side wall/outside perimeter is greater than the TILEBASE then the corresponding SLOPEEXT is cut to fill the gap using a stanley knife.

If the distance between the centre of the waste and the side wall/outside perimeter is less than the TILEBASE then trim with a stanley knife and straighten edge.

When the tray shape is complete, use a sharp knife and cut through the TILEBASE component around the outside perimeter of the tile flange. Trim for a neat fit around the extremity of the

# Newline ProFinish™ WEDGE Tile Tray and Channel Drain System



# Newline ProFinish™ WEDGE Tile Tray and Channel Drain System

The NEWLINE ProFinish™ WEDGE Channel Drain System is the latest product to be developed in the NEWLINE ProFinish™ Tile Tray System. The WEDGE system has all the advantages and properties of the other products that use the NEWLINE ProFinish™ Tile Tray System and is designed to be used with a Newline Channel Grate/Drain.

The WEDGE base is installed after the wall cladding is fixed and must be waterproofed before tiling.

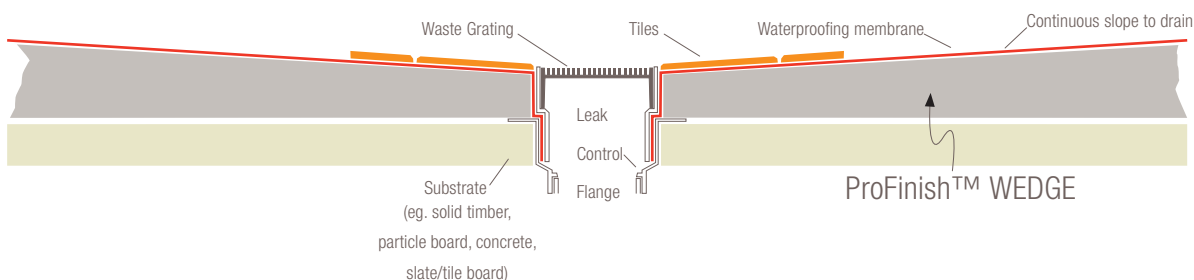
The waterproofing is applied after the WEDGE base is installed so the area is protected by a continuous waterproofing membrane applied to the floor, over the shower base and up the wall.

The Channel Drain can sit to the side of the shower or away from the wall. The choice is yours.

Purchase one of our standard or premade trays with the Channel Drain at the side or back of the tray. Otherwise order a custom tray.

## NEWLINE PROFINISH™ WEDGE CHANNEL DRAIN SYSTEM

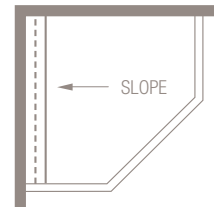
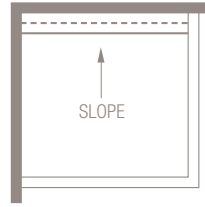
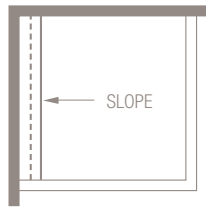
- Made in New Zealand.
- ProFinish™ WEDGE simply glues to the floor.  
*(NB. Tray must be installed on a clean, flat even surface)*
- Guaranteed continuous slope to waste.
- Supplied with Newline Channel Drain Kit.
- Custom position of Channel Drain available.
- No time wasted waiting for sand and cement screed to dry.
- No need for expensive structural floor changes.
- Manufactured from light weight rigid polyurethane.
- The Newline ProFinish™ WEDGE rigid polyurethane shower tray will hold its form and shape for 20 years if protected from moisture by an approved waterproofing membrane which has been applied by an approved waterproofing applicator.
- Acoustically superior to sand and cement.
- All dimensions from lined wall to outer edges of ProFinish™ Tray nominal.
- Tile thickness will affect overall height and depth of shower. These instructions are based on minimum tile thickness of 8mm.
- Custom options available.
- Glue pack to fix ProFinish™ WEDGE tray included.  
*NB. Warranty void if recommended glue and sealant not used.*



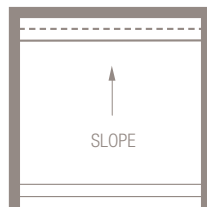
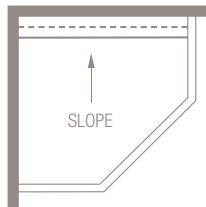
# Newline ProFinish™ WEDGE Tile Tray System

## Premade Standard Sizes with Channel Drain

*Note: All trays standard with WEDGE base, Packer, Newline Channel Drain kit and adhesive. All trays standard with a 60mm x 60mm Hob/Sill.*



2-SIDED A		2-SIDED B		NEO A	
WEDGE 915 2 sided A	915mm x 915mm	WEDGE 915 2 sided B	915mm x 915mm	WEDGE 905 Neo Angle A	905mm x 905mm
WEDGE 1000 2 sided A	1000mm x 1000mm	WEDGE 1000 2 sided B	1000mm x 1000mm	WEDGE 955 Neo Angle A	955mm x 955mm



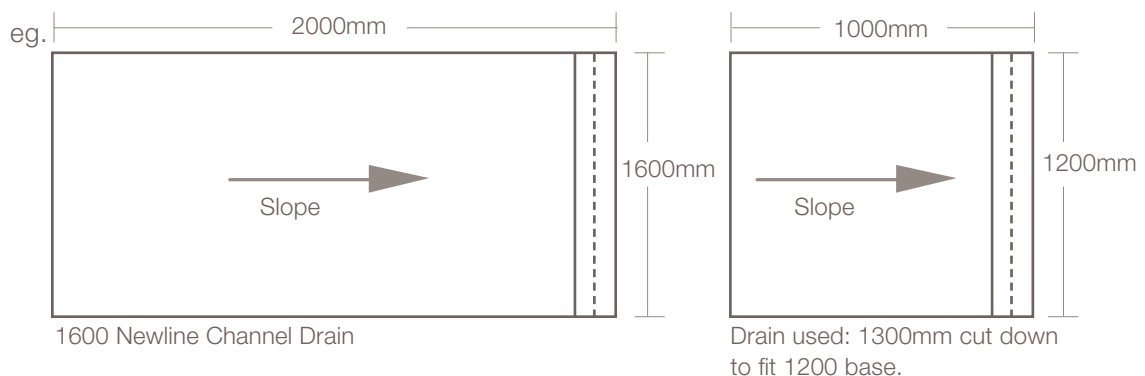
NEO B		3 SIDED	
WEDGE 905 Neo Angle B	905mm x 905mm	WEDGE 910 3 sided	910mm x 910mm
WEDGE 955 Neo Angle B	955mm x 955mm		

# Newline ProFinish™ WEDGE Tile Tray System Custom Base with Channel Drain.

If using a Hob, this system has been designed so that the tray and channel drain can be fitted onto the floor without any requirement to cut out the floor for waste flange or channel drain.

Should you want to recess the WEDGE tray and channel drain into the floor, refer to page 69.

The Newline Channel Drain is available in 3 sizes: 1000, 1300 and 1600mm. These drains can be cut to suit any size between 800mm - 1600mm (Refer to page 76)



To order your custom WEDGE Base with Channel Drain, draw the size and shape of the Shower Base and channel drain that you require on the 'Request for Quote' form.