

Opus Manufacturing Technical Page

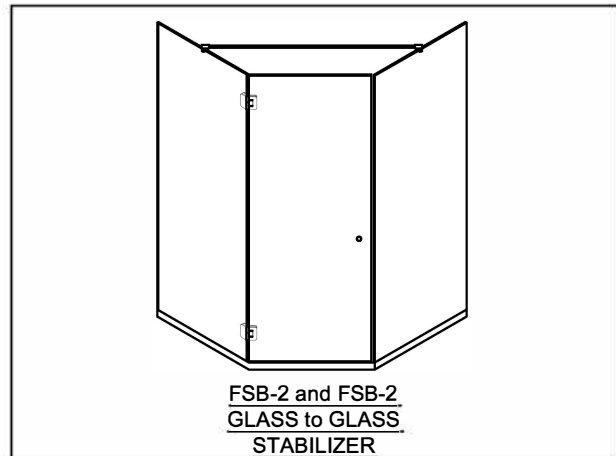
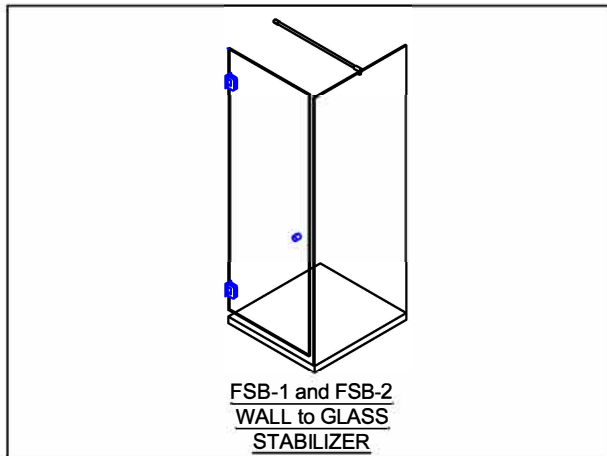
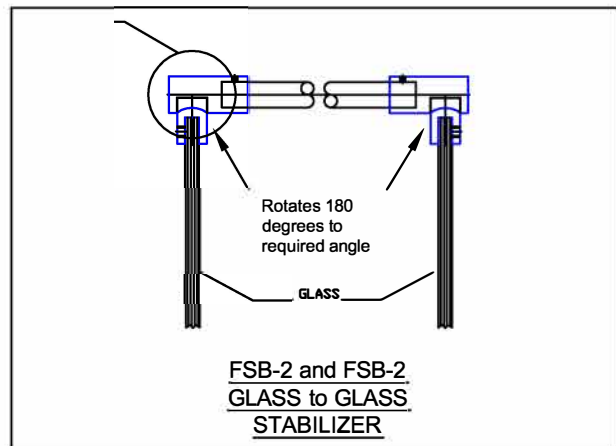
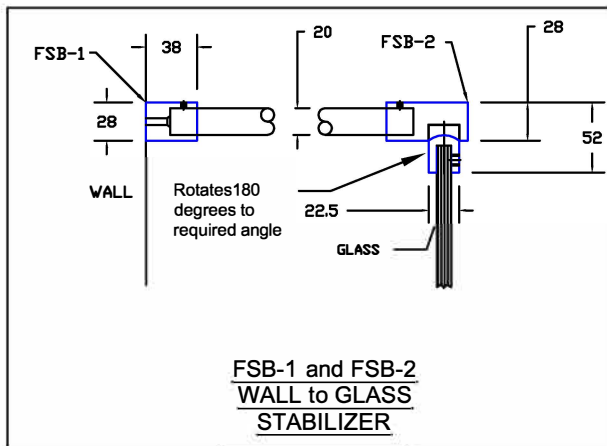
Stabilizer Bars and Fittings

Fully adjustable through 180 degrees.

Available Bars:

FSB-6 (Polished Stainless) and FSB-7 (Satin Stainless) Fittings:

FSB-1 (wall to glass), FSB-2 (glass to glass)



Top fixed Stabilizer Bars to reduce glass panel movement. Fittings available for wall to glass and glass to glass. Angle is 180 degree adjustable. Designed to suit 8mm & 10mm Glass.

Finishes: Fittings - Bright Chrome, Satin Chrome, Powdercoat or Gold
Bar - Polished or Satin Stainless Steel

Call: 1300 139 706 T: (03) 9775 1223 F: (03) 9775 1445 E: danmac1@bigpond.net.au
HEAD OFFICE: 99 Frankston Gardens Drive, Carrum Downs Vic 3201 Australia