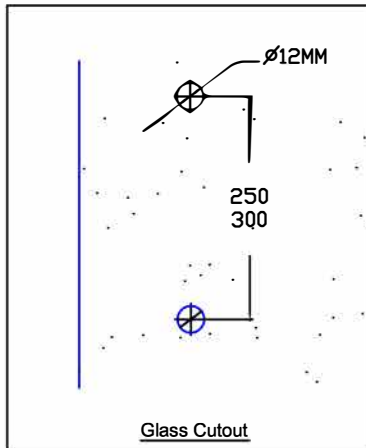
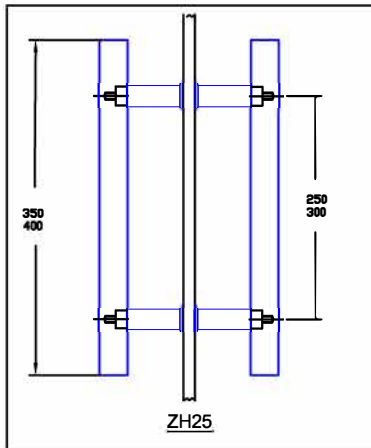


## Opus Manufacturing Technical Page

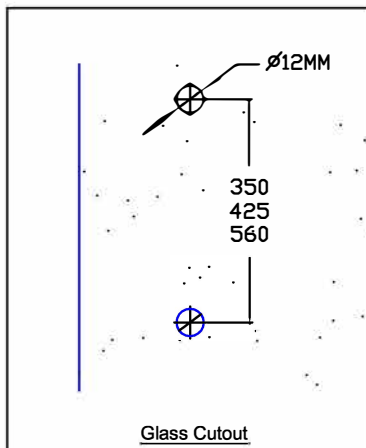
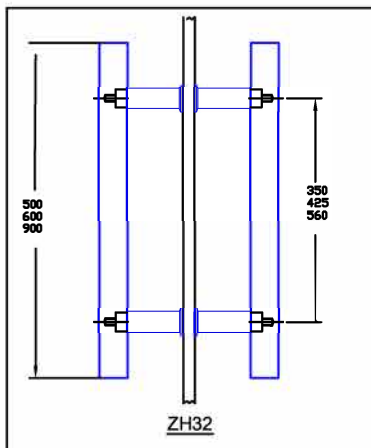
### ZH25 & ZH32

### HSF600 & HSF900 (CUSTOM LENGTHS AVAILABLE)



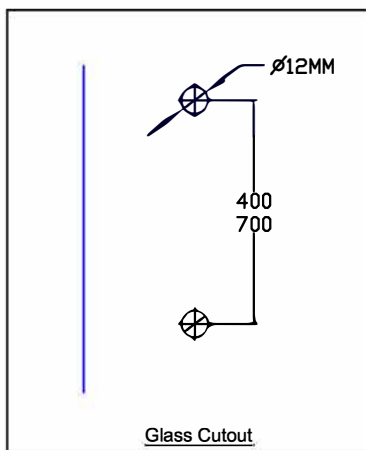
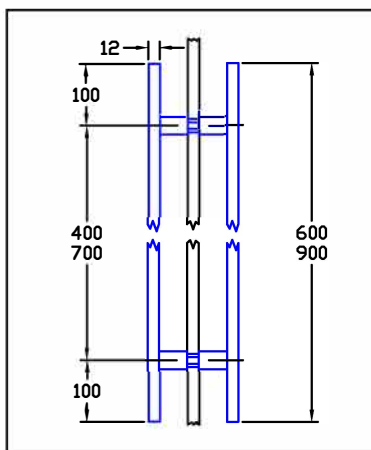
**STRAIGHT HANDLE**  
 Handles are constructed of 25mm hollow stainless steel. Plastic gaskets and spacers are included to protect against glass to metal contact. A set consists of one handle for each side of the door.

Codes:  
 ZH25-350  
 ZH25-400



**STRAIGHT HANDLE**  
 Handles are constructed of 32mm hollow stainless steel. Plastic gaskets and spacers are included to protect against glass to metal contact. A set consists of one handle for each side of the door.

Codes:  
 ZH32-500  
 ZH32-600  
 ZH32-900



**DOUBLE PULL HANDLES**  
 Made of 25mmx12mm stainless steel flat bar. Plastic gasket and spacers are included to protect against glass to metal contact. A set includes a handle for each side of the door.

Codes:  
 HSF600  
 HSF900

Finishes: Polished Stainless Steel or Satin Stainless Steel